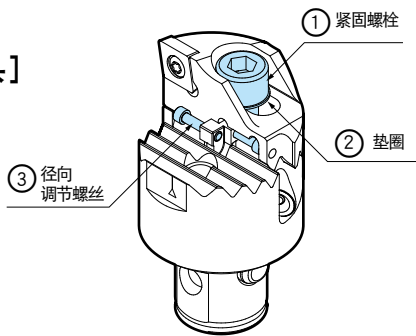


在订购各部件时，请注明镗头型号及部件名称。

## SW

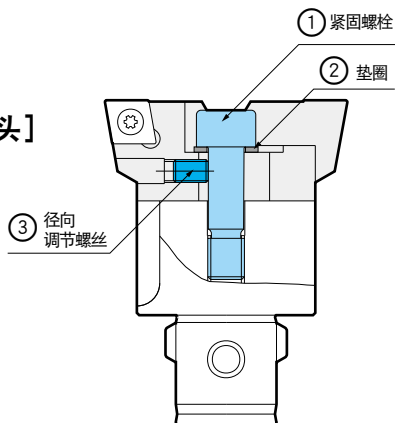
### [sw 粗镗头] (A·E型通用)



镗头型号	① 螺栓 2 颗 垫圈 2 个装	② 4 颗装	③ 2 颗装
SW 20- 31CKB1	SW20SS	SW20BS	SW20RS
SW 25- 40CKB2	SW25SS	SW25BS	SW25RS
SW 32- 51CKB3	SW32SS	SW32BS	SW32RS
SW 41- 66CKB4	SW41SS	SW41BS	SW41RS
SW 53- 86CKB5	SW53SS	SW53BS	SW53RS
SW 68-110CKB6	SW68SS		SW68RS
SW 98-153CKB□	SW98SS	SW98BS	SW98RS
SW148-203CKB□			

## TW

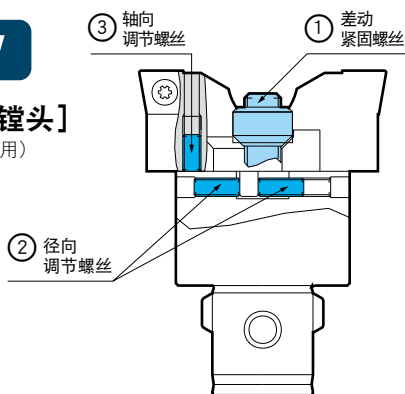
### [TW 粗镗头] (A·E型通用)



镗头 (刀片座) 型号	① 螺栓 2 颗 垫圈 2 个装	② 4 颗装	③ 5 颗装
TWN20-31CKB1	TW20SS	TW20BS	H0305/R
TWN25-40CKB2	TW25SS	TW25BS	H0306/R
TWN32-51CKB3	TW32SS	TW32BS	H0408/R
TWN41-66CKB4	TW41SS	TW41BS	H0510/R
TWN53-86CKB5	TW53SS	TW53BS	H0614/R
TW 6890A/E/EL	TW68SS	TW68BS	H0616/R
TW88110A/E/EL			H0618/R
TW98126A/E/EL	TW98SS	TW98BS	H0820/R
TW125153A/E/EL			H0825/R

## RW

### [RW 粗镗头] (A·E型通用)



镗头型号	① 1 颗装	② 5 颗装	③ 5 颗装
RW 25- 33CK2	DS25	H0306/R	H0206
RW 32- 42CK3	DS32	H0308/R	H0308
RW 41- 54CK4	DS41	H0410/R	H0410
RW 53- 70CK5	DS53	H0515/R	H0512
RW 68-100CK6	DS68	H0515/R	
RW100-150CK6		H0520/R	